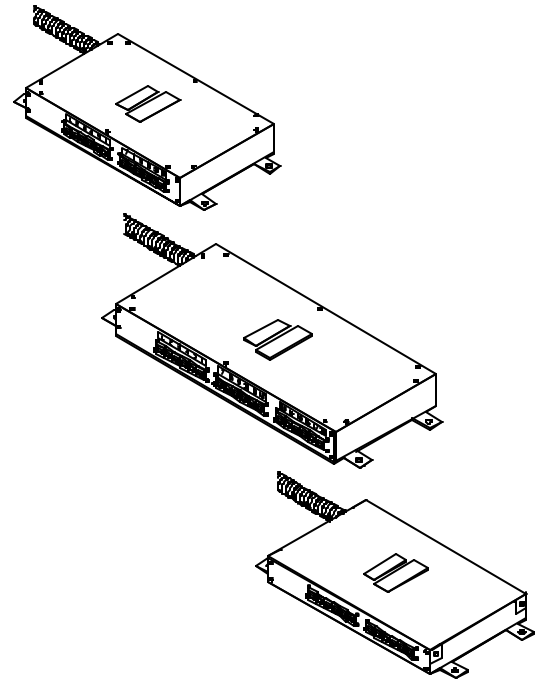


**FEATURES**

- Vendor-neutral: IF/IC system is compatible with cable and connectors from virtually any telecom manufacturer
- Factory-tested for compliance to TIA/EIA-568-B CAT 5e performance for copper cable
- Home Run Cable manufactured from Type MC Cable featuring bundles of 12 or 18 CAT 5e 4-pair UTP cables, fiber optic cables, or a hybrid of both copper and fiber
- IBEW-assembled, UL-listed and labeled
- Meets requirements of UL 2043, Fire Test for Heat and Visible Smoke Release
- Acceptable for use in environmental air-handling spaces other than ducts or plenums per NEC Article 300-22(c)
- Available in low-profile configuration for access floor applications with low finished floor height

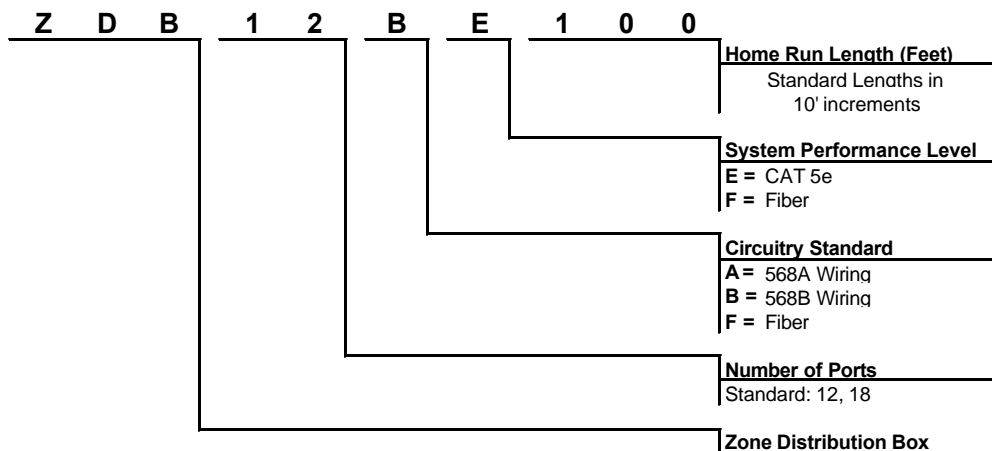


**APPLICATION**

Connecting the telecommunications room with the open office area, the **Telecommunications Zone Distribution Box (ZDB)** functions as either a Consolidation Point (CP) or a Multi-User Telecommunication Outlet (MUTO). Supplied with a factory-terminated Home Run Cable, the ZDB can be fitted with cabling (copper and fiber) and connectivity provided by virtually any manufacturer. The standard copper-based ZDB is a 12- or 18-port configuration while the standard fiber-based ZDB is a 12-24 port configuration. A prefabricated Home Run Cable (HRC), consisting of bundled riser-rated copper or fiber cable clad with steel armor, is provided as an integral part of the system and provides an unmatched level of protection from job site damage. Custom port configurations are available.

**IDENTIFICATION**

Catalog Number

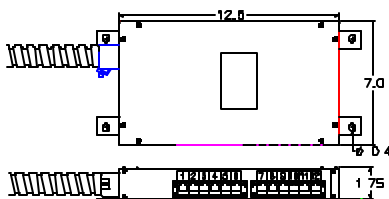


**SPECIFICATIONS**

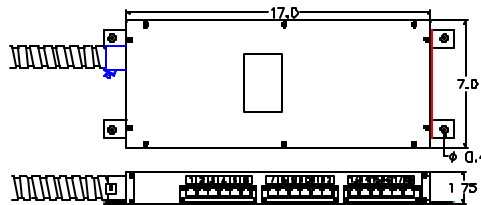
<b>Enclosure</b> <ul style="list-style-type: none"> <li>• Material</li> <li>• Finish</li> <li>• Internal Wiring</li> <li>• Dimensions, Standard 12-port ZDB</li> <li>• Dimensions, Standard 18-port ZDB</li> <li>• Dimensions, Low Profile 12-port ZDB</li> </ul>	<ul style="list-style-type: none"> <li>• 0.060" cold-rolled steel</li> <li>• Powder coat, black</li> <li>• Copper, solid, 24 AWG minimum</li> <li>• 7" x 13' x 1.75"</li> <li>• 7" x 17" x 1.75"</li> <li>• 7" x 13' x 1.375"</li> </ul>
<b>Home Run Cable</b> <ul style="list-style-type: none"> <li>• Type</li> <li>• Armor</li> <li>• Standard Cable Bundles</li> <li>• Standard Cable Type</li> <li>• Standard Armor Strip Length</li> <li>• Options</li> </ul>	<ul style="list-style-type: none"> <li>• MC</li> <li>• Galvanized steel</li> <li>• 12x4-pair UTP, 18x4-pair UTP</li> <li>• Category 5e, 4-pair UTP</li> <li>• 20' of 4-pair cable exposed at Telecom Room</li> <li>• Hybrid copper, fiber</li> </ul>
<b>Connectivity</b> <ul style="list-style-type: none"> <li>• Performance Level</li> <li>• Connector Type</li> </ul>	<ul style="list-style-type: none"> <li>• Category 5e</li> <li>• Copper: RJ45, Fiber: All standard types</li> </ul>

**KEY DIMENSIONS**

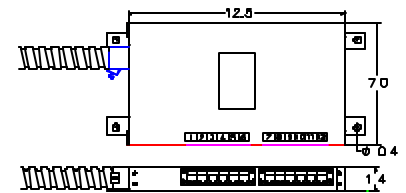
Standard 12-Port ZDB



Standard 18-Port ZDB



Low-Profile 12-Port ZDB



**SYSTEM VIEW**

