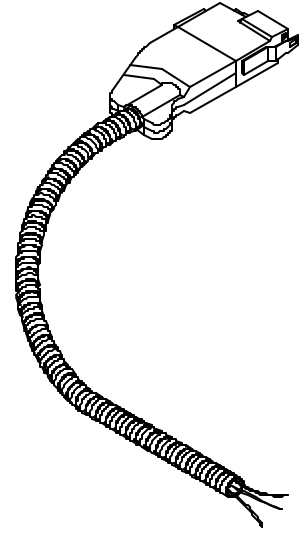


FEATURES

- Rated for use on 120V/208V 20 ampere branch circuits
- Manufactured with Type MC Cable featuring 90°C insulated, #12 AWG, solid copper conductors
- Connector housing is zinc-plated 0.060 inches cold-rolled steel
- High conductivity pin and socket connector design
- To eliminate inter-voltage connection, each connector is keyed and color-coded to meet specific voltage requirements
- IBEW-assembled, UL-listed and labeled
- Meets requirements of NEC® Article 604
- Acceptable for use in environmental air-handling spaces other than ducts or plenums per NEC Article 300-22(c)

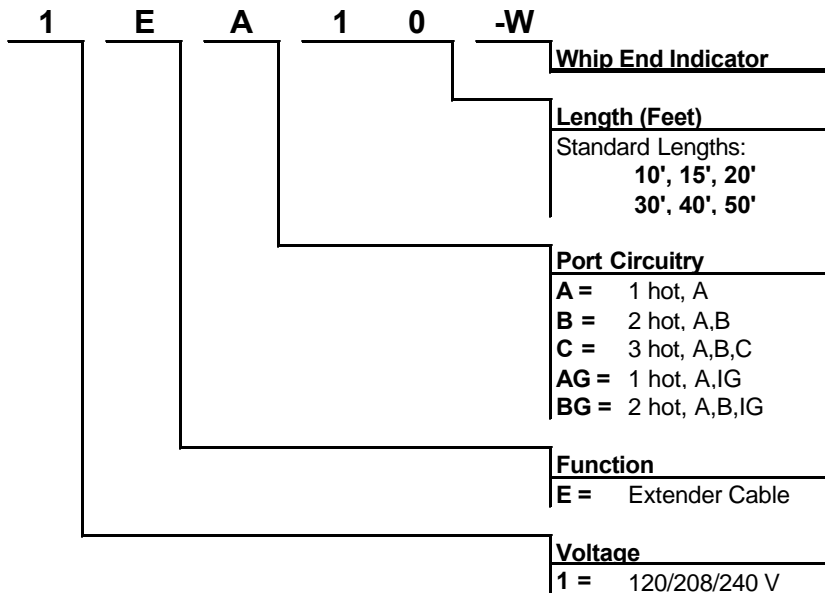


APPLICATION

The **Whip End Power Extender Cable** allows the IF/IC modular wiring system to interconnect with hard-wired assemblies, such as Access Floor Modules, electrical work boxes, or inaccessible areas where wall-mounted convenience outlets are located. Normally, it delivers power from the Power Extender Cables to the Access Floor Modules. Cables are configured for General Purpose (GP) power or Isolated Ground (IG) power. Custom circuitry configurations are available.

ORDERING INFORMATION

Catalog Number



THE INTELLIGENT FLOOR[®]
THE INTELLIGENT CEILING[®]

**SINGLE
PORT**

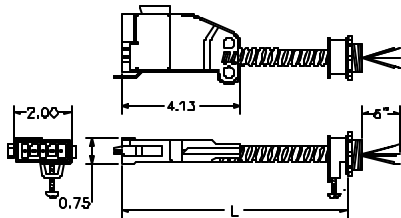
**WHIP END
POWER EXTENDER CABLE**

SPECIFICATIONS

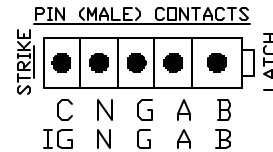
Weight	10 pounds (10' length)
Length	Unrestricted by NEC
Minimum Coil Diameter	9 inches (inner diameter)
Cable	<ul style="list-style-type: none"> Type Conductor Conductor Size Ground Conductor
Contact	<ul style="list-style-type: none"> Material
Contact Housing	<ul style="list-style-type: none"> Material Keying

Connector Housing	<ul style="list-style-type: none"> Material Finish Attaching Hardware 	<ul style="list-style-type: none"> 0.060" cold-rolled steel Bright zinc dip Rivet, steel, zinc plated
Latch	<ul style="list-style-type: none"> Material 	<ul style="list-style-type: none"> #3 zinc alloy, die cast
Latch Strike	<ul style="list-style-type: none"> Material Plating 	<ul style="list-style-type: none"> 0.028 AISI 1075 cold-rolled spring steel Black oxide

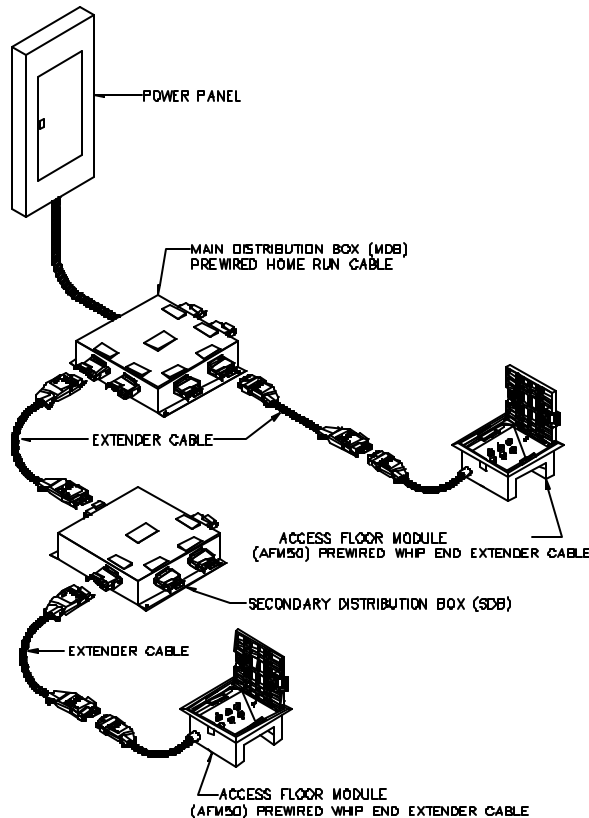
KEY DIMENSIONS



PIN ASSIGNMENTS



SYSTEM VIEW



2505 Merritt Drive, Garland, TX 75041
 972-278-3888 fax: 972-248-8585 www.afcweb.com/acs
 Made in the USA

