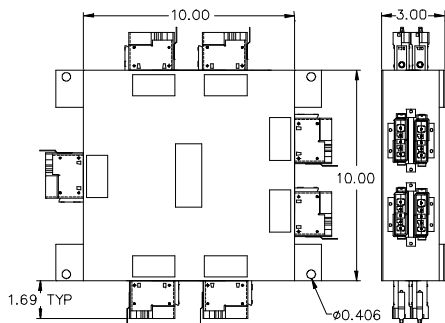


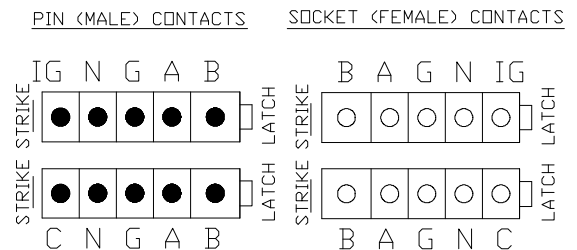
SPECIFICATIONS

Enclosures <ul style="list-style-type: none"> • Material • Finish • Internal Wiring • Standard Dimensions, Power SDB 	<ul style="list-style-type: none"> • 0.060" cold-rolled steel • Powder coat, black • Copper, solid, 90°C, THHN • 10" x 10" x 3"
Connector Contacts <ul style="list-style-type: none"> • Contact • Contact Housing 	<ul style="list-style-type: none"> • 0.016" tinned copper alloy • Polycarbonate, UL 94V-2
Connector Housing & Strain Relief <ul style="list-style-type: none"> • Material • Plating • Attaching Hardware 	<ul style="list-style-type: none"> • 0.060" cold-rolled steel • Zinc bright dip • Rivet, steel, zinc plated
Latch	#3 zinc alloy, die cast
Latch Strike <ul style="list-style-type: none"> • Material • Plating 	<ul style="list-style-type: none"> • 0.028 AISI 1075 cold-rolled spring steel • Black oxide

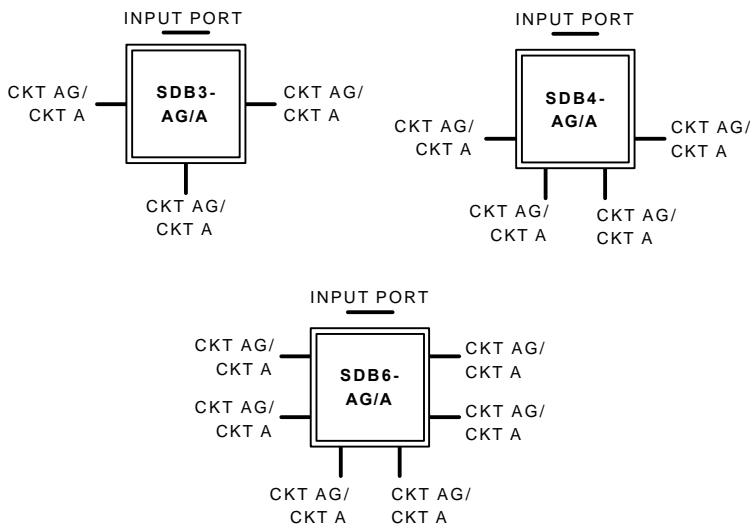
KEY DIMENSIONS



PIN ASSIGNMENTS



STANDARD CIRCUITRY



SYSTEM VIEW

