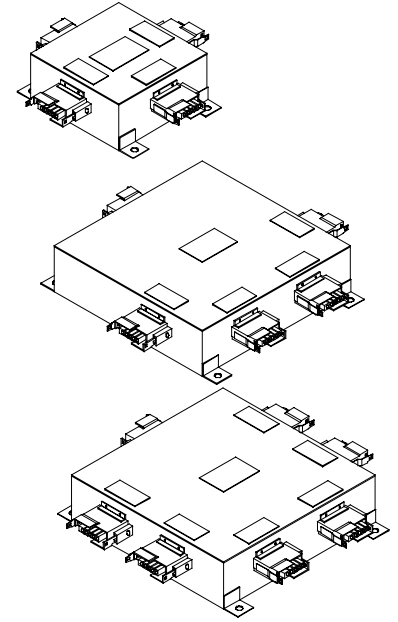


## FEATURES

- Rated for use on 120V/208V 20 ampere branch circuits
- Manufactured with 90°C THHN-insulated, #12 AWG, solid copper conductors
- Connector housing is zinc-plated 0.060 inches cold-rolled steel
- Pin and socket connector design
- To eliminate inter-voltage connection, each connector is keyed and color-coded to meet specific voltage requirements
- IBEW-assembled, UL-listed and labeled
- Meets requirements of NEC® Article 604
- Acceptable for use in environmental air-handling spaces other than ducts or plenums per NEC Article 300-22(c)

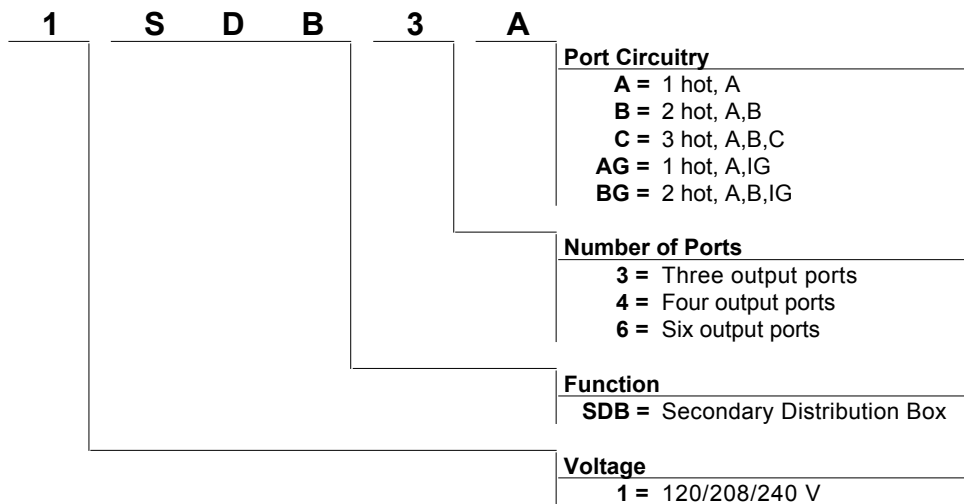


## APPLICATION

The **Secondary Distribution Box (SDB)** serves to split branch circuit power from the Main Distribution Box (MDB) and deliver it to the Access Floor Modules, to office system furniture, or to convenience power outlets via Power Extender Cables. The standard SDB is a 3-, 4-, or 6-port configuration. Ports can be configured for General Purpose (GP) power or Isolated Ground (IG) power. Custom circuitry and port configurations are available.

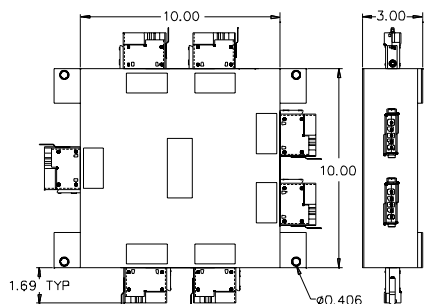
## ORDERING INFORMATION

Catalog Number

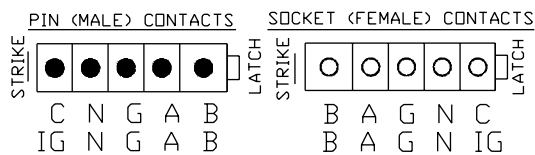


<b>Enclosures</b> <ul style="list-style-type: none"> <li>• Material</li> <li>• Finish</li> <li>• Internal Wiring</li> <li>• Standard Dimensions, Power SDB</li> </ul>	<ul style="list-style-type: none"> <li>• 0.060" cold-rolled steel</li> <li>• Powder coat, black</li> <li>• Copper, solid, 90°C, THHN</li> <li>• 10" x 10" x 3"</li> </ul>
<b>Connector Contacts</b> <ul style="list-style-type: none"> <li>• Contact</li> <li>• Contact Housing</li> </ul>	<ul style="list-style-type: none"> <li>• 0.016" tinned copper alloy</li> <li>• Polycarbonate, UL 94V-2</li> </ul>
<b>Connector Housing &amp; Strain Relief</b> <ul style="list-style-type: none"> <li>• Material</li> <li>• Plating</li> <li>• Attaching Hardware</li> </ul>	<ul style="list-style-type: none"> <li>• 0.060" cold-rolled steel</li> <li>• Zinc bright dip</li> <li>• Rivet, steel, zinc plated</li> </ul>
<b>Latch</b>	#3 zinc alloy, die cast
<b>Latch Strike</b> <ul style="list-style-type: none"> <li>• Material</li> <li>• Plating</li> </ul>	<ul style="list-style-type: none"> <li>• 0.028 AISI 1075 cold-rolled spring steel</li> <li>• Black oxide</li> </ul>

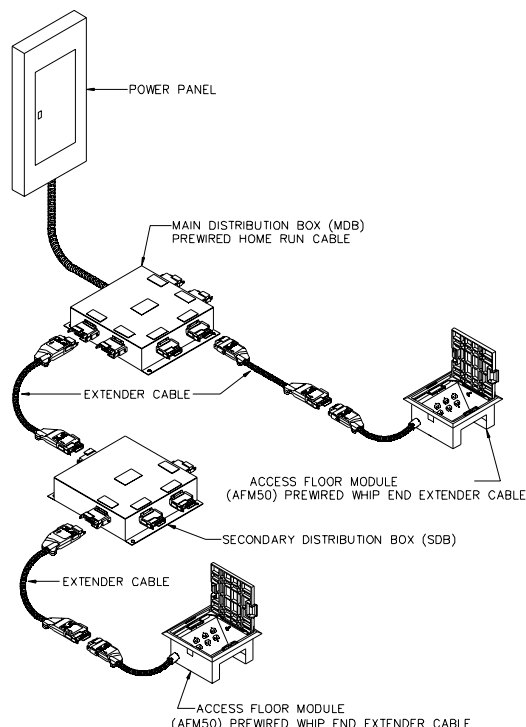
## KEY DIMENSIONS



## PIN ASSIGNMENTS



## SYSTEM VIEW



## STANDARD CIRCUITRY

