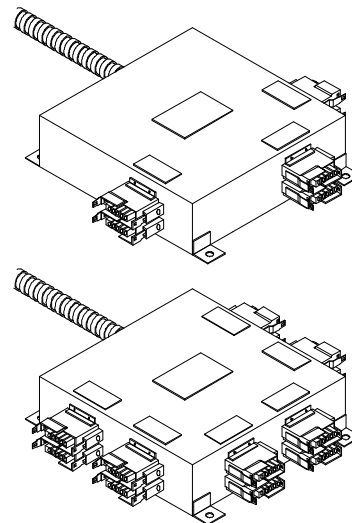


## FEATURES

- Rated for use on 120V/208V 20 ampere branch circuits
- Home Run Cable manufactured from Type MC Cable featuring 90°C insulated, #10 AWG, solid copper hot conductors, #8 AWG, solid copper neutral conductors, and two #10 AWG insulated, solid copper grounds
- Connector housing is zinc-plated 0.060 inches cold-rolled steel
- Pin and socket connector design
- To eliminate inter-voltage connection, each connector is keyed and color-coded to meet specific voltage requirements
- IBEW-assembled, UL-listed and labeled
- Meets requirements of NEC® Article 604
- Acceptable for use in environmental air-handling spaces other than ducts or plenums per NEC Article 300-22(c)



## APPLICATION

The heart of the IF/IC modular wiring system, the **Main Distribution Box (MDB)** delivers power to Access Floor Modules, to office system furniture, or to Secondary Distribution Boxes via Power Extender Cables. The standard MDB is a 3-port or 6-port configuration. Ports are configured for General Purpose (GP) power and Isolated Ground (IG) power. A prefabricated Type MC Home Run Cable (HRC) with oversized neutrals is provided as an integral part of the system. As an option, the MDB can be fitted with terminal blocks to receive hard-wired home runs. Custom circuitry and port configurations are available.

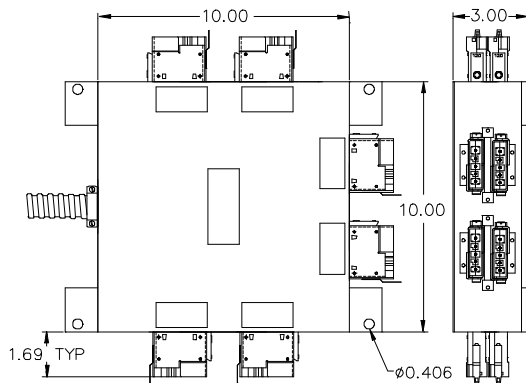
## ORDERING INFORMATION

If you...	And you...	And you...	Then order part numbers... <small>(xxx = HRC length)</small>	Which include Home Run Cable...
Require both <b>general purpose</b> power and <b>isolated ground</b> power	Are using <b>access floor modules</b>	Need 1 circuit GP & 1 circuit IG per workstation	1MDB06AGJJxxx-D	10/12-8/4-10/2
		Can share 1 circuit GP & 1 circuit IG among 2 workstations	1MDB06AGKKxxx-B	10/6-8/2-10/2
		Can share 1 circuit GP & 1 circuit IG among 3 workstations	1MDB06AGJJxxx-D with six each 1SDB3AG/A	10/12-8/4-10/2
		Can share 1 circuit GP & 1 circuit IG among 4 workstations	1MDB06AGJJxxx-D with six each 1SDB4AG/A	10/12-8/4-10/2
		Can share 1 circuit GP among 6 workstations & 1 circuit IG among 3 workstations	1MDB06AGKJxxx-C with six each 1SDB3AG/A	10/9-8/3-10/2
	Are using <b>office system furniture</b>	Require a 3 + D arrangement	1MDB03CGAAxxx-D	10/12-8/4-10/2
		Require a 2 + 2 arrangement	1MDB03BHAAxxx-E	10/12-8/6-10/2
		Require a 3-3-2 arrangement	1MDB03BGAAxxx-E	10/12-8/6-10/2

**SPECIFICATIONS**

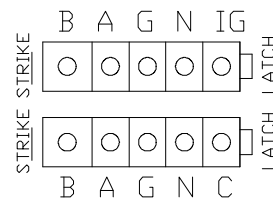
<b>Enclosures</b> <ul style="list-style-type: none"> <li>Material</li> <li>Finish</li> <li>Internal Wiring</li> <li>Standard Dimensions, Power MDB</li> </ul>	<ul style="list-style-type: none"> <li>0.060" cold-rolled steel</li> <li>Powder coat, black</li> <li>Copper, solid, 90°C, THHN</li> <li>10" x 10" x 3"</li> </ul>
<b>Connector Contacts</b> <ul style="list-style-type: none"> <li>Contact</li> <li>Contact Housing</li> </ul>	<ul style="list-style-type: none"> <li>0.016" tinned copper alloy</li> <li>Polycarbonate, UL 94V-2</li> </ul>
<b>Connector Housing &amp; Strain Relief</b> <ul style="list-style-type: none"> <li>Material</li> <li>Plating</li> <li>Attaching Hardware</li> </ul>	<ul style="list-style-type: none"> <li>0.060" cold-rolled steel</li> <li>Zinc bright dip</li> <li>Rivet, steel, zinc plated</li> </ul>
<b>Latch</b>	#3 zinc alloy, die cast
<b>Latch Strike</b> <ul style="list-style-type: none"> <li>Material</li> <li>Plating</li> </ul>	<ul style="list-style-type: none"> <li>0.028 AISI 1075 cold-rolled spring steel</li> <li>Black oxide</li> </ul>

**KEY DIMENSIONS**

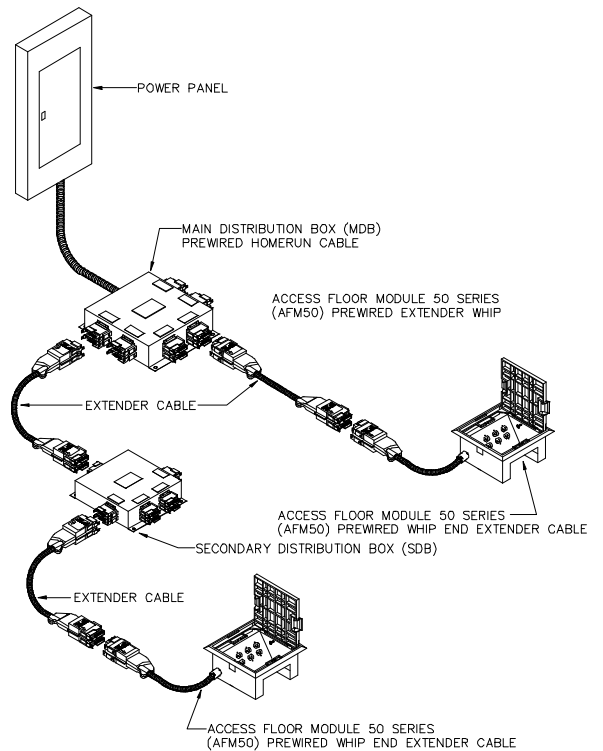


**PIN ASSIGNMENTS**

SOCKET (FEMALE) CONTACTS



**SYSTEM VIEW**



**STANDARD CIRCUITRY**

