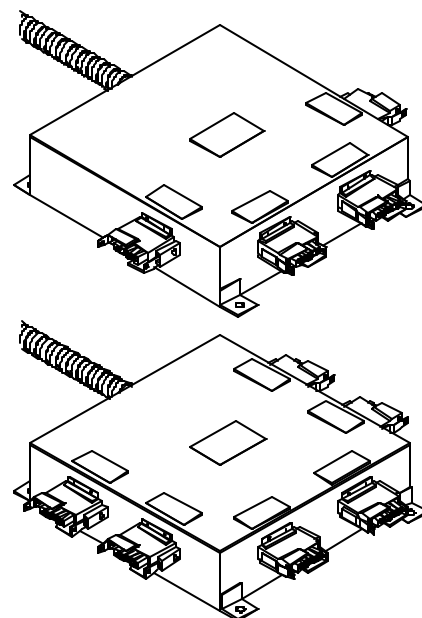


FEATURES

- Rated for use on 120V/208V 20 ampere branch circuits
- Home Run Cable manufactured from Type MC Cable featuring 90°C insulated, #10 AWG, solid copper hot conductors, #8 AWG, solid copper neutral conductors, and two #10 AWG insulated, solid copper grounds
- Connector housing is zinc-plated 0.060 inches cold-rolled steel
- Pin and socket connector design
- To eliminate inter-voltage connection, each connector is keyed and color-coded to meet specific voltage requirements
- IBEW-assembled, UL-listed and labeled
- Meets requirements of NEC® Article 604
- Acceptable for use in environmental air-handling spaces other than ducts or plenums per NEC Article 300-22(c)



APPLICATION

The heart of the IF/IC modular wiring system, the **Main Distribution Box (MDB)** delivers power to Access Floor Modules, to office system furniture, or to Secondary Distribution Boxes via Power Extender Cables. The standard MDB is a 4- or 6-port configuration. Ports can be configured for General Purpose (GP) power or Isolated Ground (IG) power. A prefabricated Type MC Home Run Cable (HRC) with oversized neutrals is provided as an integral part of the system. As an option, the MDB can be fitted with terminal blocks to receive hard-wired home runs. Custom circuitry and port configurations are available.

ORDERING INFORMATION

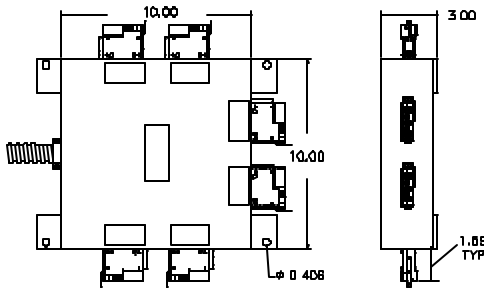
If you...	And you...	And you...	Then order part numbers... (xxx = HRC length)	Which include Home Run Cable...
Require general purpose power only	Are using access floor modules	Need 1 circuit per workstation	1MDB06AZJZDxxx-B	10/6 8/2 10/2
		Can share 1 circuit among 2 workstations	1MDB06AZKZDxxx-A	10/3 8/1 10/2
		Can share 1 circuit among 3 workstations	1MDB06AZMZDxxx-B	10/3 8/1 10/2
			or 1MDB06AZJZDxxx-B w/ six each 1SDB3A	10/6 8/2 10/2
	Can share 1 circuit among 4 workstations	1MDB06AZJZDxxx-B w/ six each 1SDB4A	10/6 8/2 10/2	
	Are using office system furniture	Require a 3 circuit (5-wire) arrangement	1MDB04AZDZDxxx-D	10/12 8/4 10/2
Require isolated ground power only	Are using access floor modules	Need 1 circuit per workstation	1MDB06GZJZDxxx-B	10/6 8/2 10/2
		Can share 1 circuit among 2 workstations	1MDB06GZKZDxxx-A	10/3 8/1 10/2
		Can share 1 circuit among 3 workstations	1MDB06GZMZDxxx-B	10/3 8/1 10/2
			or 1MDB06GZJZDxxx-B w/ six each 1SDB3AG	10/6 8/2 10/2
	Can share 1 circuit among 4 workstations	1MDB06GZJZDxxx-B w/ six each 1SDB4AG	10/6 8/2 10/2	
	Are using office system furniture	Require a 3 circuit (5-wire) arrangement	1MDB04GZDZDxxx-D	10/12 8/4 10/2



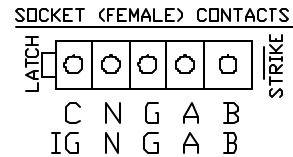
SPECIFICATIONS

Enclosures <ul style="list-style-type: none"> • Material • Finish • Internal Wiring • Standard Dimensions, Power MDB 	<ul style="list-style-type: none"> • 0.060" cold-rolled steel • Powder coat, black • Copper, solid, 90°C, THHN • 10" x 10" x 3"
Connector Contacts <ul style="list-style-type: none"> • Contact • Contact Housing 	<ul style="list-style-type: none"> • 0.016" tinned copper alloy • Polycarbonate, UL 94V-2
Connector Housing & Strain Relief <ul style="list-style-type: none"> • Material • Plating • Attaching Hardware 	<ul style="list-style-type: none"> • 0.060" cold-rolled steel • Zinc bright dip • Rivet, steel, zinc plated
Latch	#3 zinc alloy, die cast
Latch Strike <ul style="list-style-type: none"> • Material • Plating 	<ul style="list-style-type: none"> • 0.028 AISI 1075 cold-rolled spring steel • Black oxide

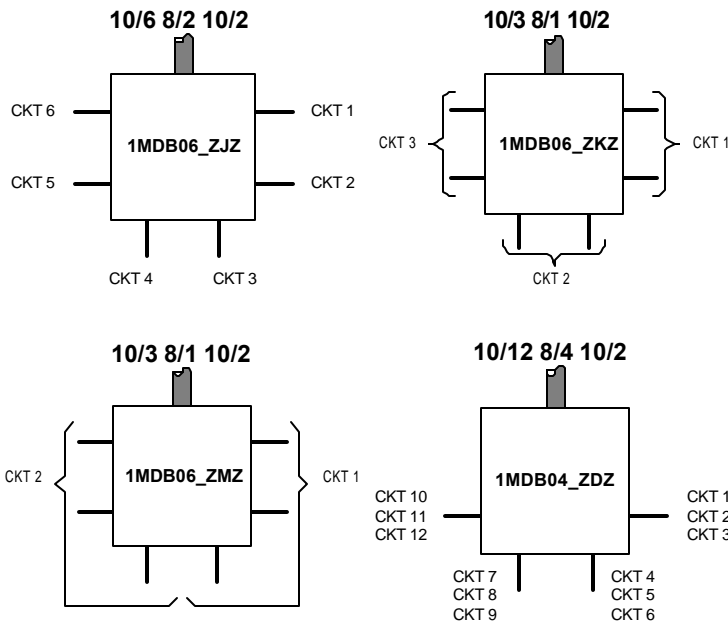
KEY DIMENSIONS



PIN ASSIGNMENTS



STANDARD CIRCUITRY



SYSTEM VIEW

