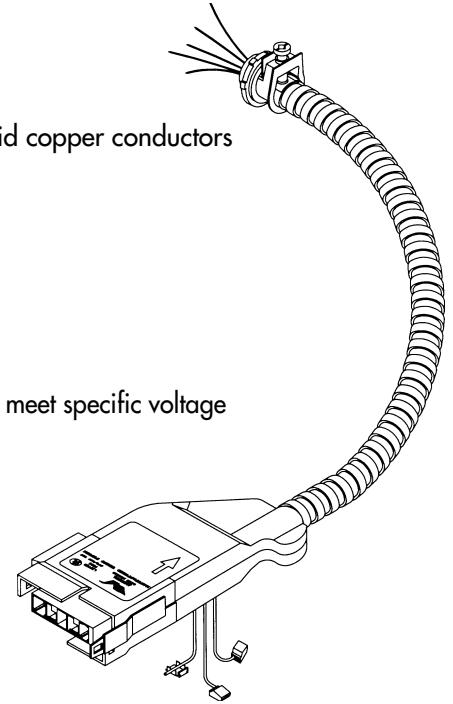


FEATURES

- Rated for use on 20 ampere branch circuits
- Manufactured from Type MC Cable featuring 90 C insulated, #12 AWG, solid copper conductors and a #12 AWG insulated, solid copper ground
- Fixture leads are 105 C insulated, #18 AWG copper conductors
- Connector housing is zinc-plated .060 inches cold-rolled steel
- Pin and socket connector design
- To eliminate inter-voltage connection each connector is keyed and color coded to meet specific voltage requirements
- IBEW Assembled, UL listed and labeled
- Meets requirements of NEC[®] Article 604
- Acceptable for use in environmental air-handling spaces other than ducts or plenums per NEC Article 300-22(c)



APPLICATION

Delivers locally or panel-controlled branch circuit power from the lighting circuit to a non-accessible ceiling area. The "Whip End" of the cable serves to extend the branch circuit power to the non-accessible ceiling area.

COMPONENT INFORMATION

Catalog #'s	Description	Colors
120 Volts		
1EA* - W	Single circuit, 2-wire w/ground	black, white and green
1EB* - W	Two circuit, 3-wire w/ground	black, red, white and green
1EC* - W	Three circuit, 4-wire w/ground	black, red, blue, white and green
277 Volts		
2EA* - W	Single circuit, 2-wire w/ground	brown, grey and green
2EB* - W	Two circuit, 3-wire w/ground	brown, yellow, grey and green
2EC* - W	Three circuit, 4-wire w/ground	brown, yellow, orange, grey and green

HOW TO ORDER

2 L A 15 - W

↑ ↑ ↑ ↑ ↑

Whip end suffix
Cable length in feet (15')

Number of wires (A=2-wire w/ground)
Function (L = Lighting Cable)
Voltage (1 = 120V, 2 = 277V)



Made in the USA



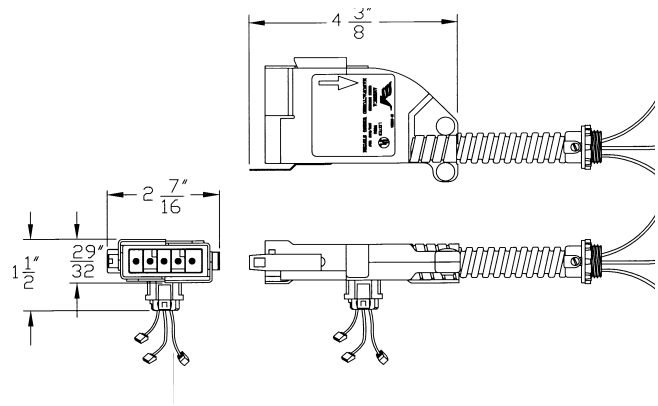
260 Duchaine Boulevard, New Bedford, MA 02745
800-426-3170 • fax:508-998-7720 • www.afcweb.com/acsw eb

tyco / Electrical & Metal Products

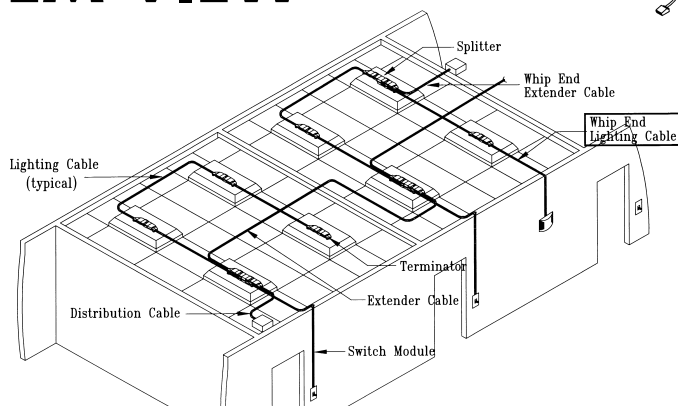
FLEX4[®] Whip End Lighting Cable Specifications

Weight	4.5 pounds (15' length)
Length	Unrestricted by NEC
Minimum Coil Diameter	9 inches (inner diameter)
Cable Type Conductor Conductor Size Ground Conductor Fixture Pigtail Pigtail Size Ground Pigtail	MC Copper, solid, 90 C, THHN 12 AWG 12 AWG, copper, solid Copper, solid, 105 C, THHN 18 AWG 16 AWG, copper, stranded
Contact	0.016" tinned copper alloy
Contact Housing Material Keying	Polycarbonate, UL 94V-2 Complies with NEC 604-6(b)
Connector Housing & Strain Relief Material Plating Attaching Hardware	0.060" cold-rolled steel Zinc bright dip Rivet, steel, zinc plated
Latch	#3 zinc alloy, die cast
Latch Strike Material Plating	0.028 AISI 1075 cold-rolled spring steel Black oxide

KEY DIMENSIONS



SYSTEM VIEW



Made in the USA

260 Duchaine Boulevard, New Bedford, MA 02745
800-426-3170 • fax:508-998-7720 • www.afcweb.com/acswb

tyco / Electrical & Metal Products