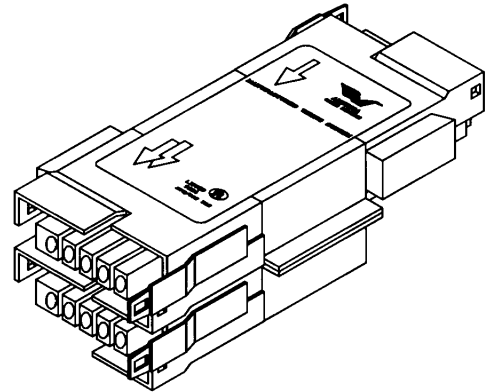


FEATURES

- Rated for use on 20 ampere branch circuits
- Designed with one "power-in" port and two "power-out" ports
Internally wired with 90°C insulated, #12 AWG, solid copper conductors and a #12 AWG insulated, solid copper ground
- Connector housing is zinc-plated .060 inches cold-rolled steel
- Pin and socket connector design
- To eliminate inter-voltage connection, each connector is keyed and color coded to meet specific voltage requirements
- IBEW Assembled, UL listed and labeled
- Meets requirements of NEC[®] Article 604
- Acceptable for use in environmental air-handling spaces other than ducts or plenums per NEC Article 300-22(c)



APPLICATION

Designed with one "power-in" port and two "power-out" ports, the **Splitter** makes it possible to split a single cable run into two directions.

COMPONENT INFORMATION

Catalog #'s	Description
120 Volts	
1SPB	Single circuit, 3-wire w/ground
1SPC	Two circuit, 4-wire w/ground
277 Volts	
2SPB	Single circuit, 3-wire w/ground
2SPC	Two circuit, 4-wire w/ground

HOW TO ORDER

2 S P B
 ↑ ↑ ↑
 Voltage (1 = 120V, 2 = 277V)
 Function (SP = Splitter)
 Number of wires (B = 3-wire w/ground)



AFC
ACS/Uni-Pab

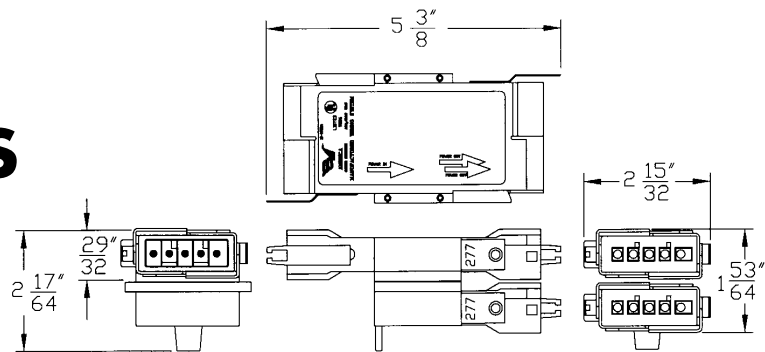
F4SP 02/03

260 Duchaine Boulevard, New Bedford, MA 02745
 800-426-3170 • fax:508-998-7720 • www.afcweb.com/acs
 Made in the USA

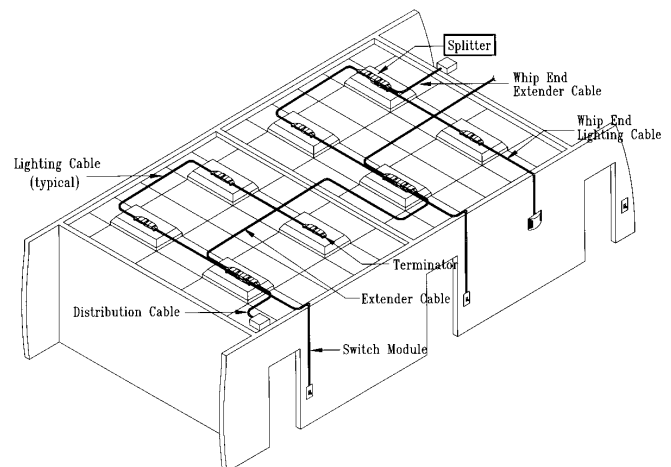
tyco / Electrical &
Metal Products

Weight	1.0 Pounds
Minimum Coil Diameter	9 inches (inner diameter)
Conductors Conductor Conductor Size Ground Conductor	Copper, solid, 90°C, THHN 12 AWG 12 AWG, copper, solid
Contact	0.016" tinned copper alloy
Contact Housing Material Keying	Polycarbonate, UL 94V-2 Complies with NEC 604-6(b)
Connector Housing & Strain Relief Material Plating Attaching Hardware	0.060" cold-rolled steel Zinc bright dip Rivet, steel, zinc plated
Latch	#3 zinc alloy, die cast
Latch Strike Material Plating	0.028 AISI 1075 cold-rolled spring steel Black oxide

KEY DIMENSIONS



SYSTEM VIEW



AFC
ACS/Uni-Fab

F4SP 02/03

260 Duchaine Boulevard, New Bedford, MA 02745
800-426-3170 • fax:508-998-7720 • www.afcweb.com/acs

Made in the USA

tyco / Electrical &
Metal Products