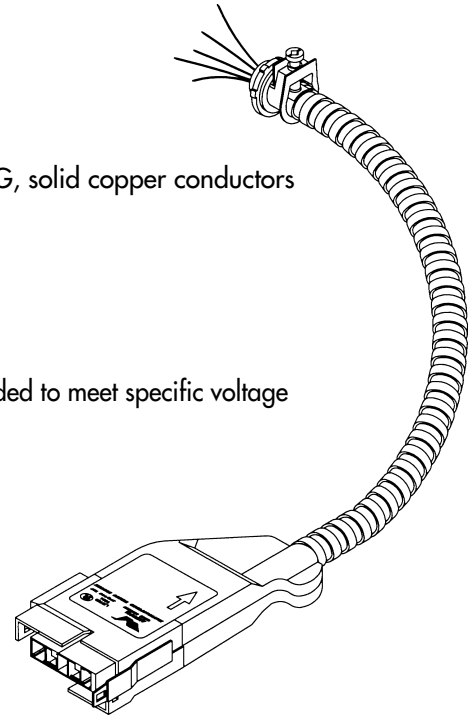


FEATURES

- Rated for use on 20 ampere branch circuits
- Manufactured from Type MC Cable featuring 90°C insulated, #12 AWG, solid copper conductors and a #12 AWG insulated, solid copper ground
- Connector housing is zinc-plated .060 inches cold-rolled steel
- Pin and socket connector design
- To eliminate inter-voltage connection each connector is keyed and color coded to meet specific voltage requirements
- IBEW Assembled, UL listed and labeled
- Meets requirements of NEC[®] Article 604
- Acceptable for use in environmental air-handling spaces other than ducts or plenums per NEC Article 300-22(c)



APPLICATION

Provides an easy way to carry branch circuit power from any “power-out” port to a non-accessible ceiling area.

COMPONENT INFORMATION

Catalog #'s	Description	Colors
120 Volts		
1EA* - W	Single circuit, 2-wire w/ground	black, white and green
1EB* - W	Two circuit, 3-wire w/ground	black, red, white and green
1EC* - W	Three circuit, 4-wire w/ground	black, red, blue, white and green
277 Volts		
2EA* - W	Single circuit, 2-wire w/ground	brown, grey and green
2EB* - W	Two circuit, 3-wire w/ground	brown, yellow, grey and green
2EC* - W	Three circuit, 4-wire w/ground	brown, yellow, orange, grey and green

* Denotes cable length in feet.

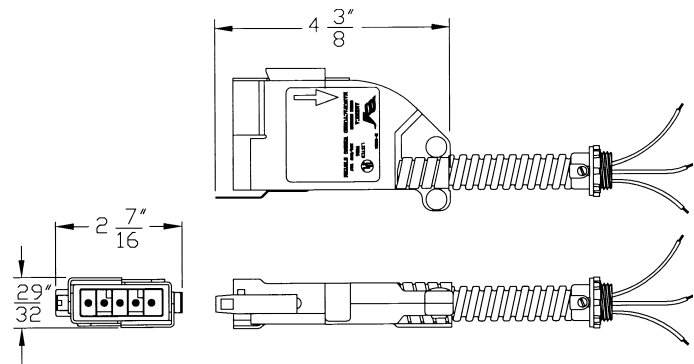
HOW TO ORDER

2 E A 15 - W

↑ ↑ ↑ ↑ ↑
Voltage (1 = 120V, 2 = 277V)
Function (E = Extender Cable)
Number of wires (A=2-wire w/ground)
Cable length in feet (15')
Whip end suffix

Weight	4.5 pounds (15' length)
Length	Unrestricted by NEC
Minimum Coil Diameter	9 inches (inner diameter)
Cable Type Conductor Conductor Size Ground Conductor	MC Copper, solid, 90°C, THHN 12 AWG 12 AWG, copper, solid
Contact	0.016" tinned copper alloy
Contact Housing Material Keying	Polycarbonate, UL 94V-2 Complies with NEC 604-6(b)
Connector Housing & Strain Relief Material Plating Attaching Hardware	0.060" cold-rolled steel Zinc bright dip Rivet, steel, zinc plated
Latch	#3 zinc alloy, die cast
Latch Strike Material Plating	0.028 AISI 1075 cold-rolled spring steel Black oxide
Mechanical Connector	1/2" MC Connector, plated

KEY DIMENSIONS



SYSTEM VIEW

