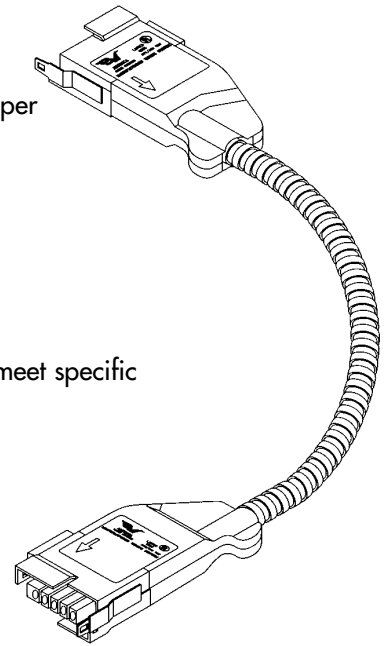


## FEATURES

- Rated for use on 20 ampere branch circuits
- Manufactured from Type MC Cable featuring 90°C insulated, #12 AWG, solid copper conductors and a #12 AWG insulated, solid copper ground
- Also available with #10 AWG insulated Super Neutral
- Connector housing is zinc-plated .060 inches cold-rolled steel
- Pin and socket connector design
- To eliminate inter-voltage connection, each connector is keyed and color coded to meet specific voltage requirements
- IBEW Assembled, UL listed and labeled
- Meets requirements of NEC<sup>®</sup> Article 604
- Acceptable for use in environmental air-handling spaces other than ducts or plenums per NEC Article 300-22(c)



## APPLICATION

A versatile component in the Flex4 wiring system, the **Extender Cable** is used primarily to carry branch circuit power to a switch module for a locally-switched application. However, it can also be used to extend the length of other cables.

## COMPONENT INFORMATION

Catalog #'s	Description
<b>120 Volts</b>	
1EA*	Single circuit, 2-wire w/ground
1EB*	Two circuit, 3-wire w/ground
1EC*	Three circuit, 4-wire w/ground
<b>277 Volts</b>	
2EA*	Single circuit, 2-wire w/ground
2EB*	Two circuit, 3-wire w/ground
2EC*	Three circuit, 4-wire w/ground

\* Denotes cable length in feet.

### HOW TO ORDER

2 E A 15

↑ ↑ ↑ ↑

↑ Voltage (1 = 120V, 2 = 277V)

↑ Function (E = Extender Cable)

↑ Number of wires (A=2-wire w/ground)

↑ Cable length in feet (15')



AFC  
ACS/Uni-Fab

F4EC 02/03

260 Duchaine Boulevard, New Bedford, MA 02745  
800-426-3170 • fax:508-998-7720 • www.afcweb.com/acs

Made in the USA

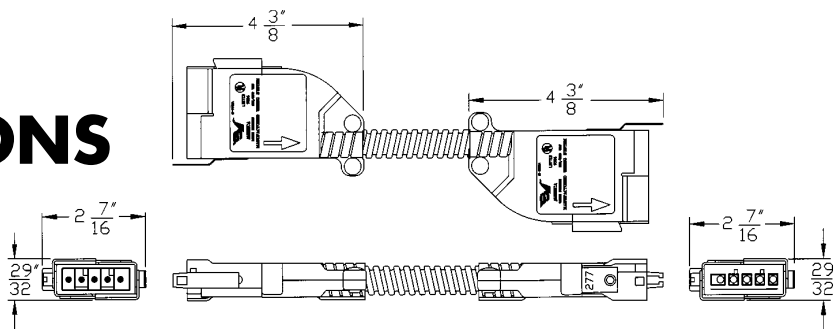
**tyco** / Electrical & Metal Products

# FLEX<sup>4</sup>®

# Extender Cable Specifications

<b>Weight</b>	4.5 pounds (15' length)
<b>Length</b>	Unrestricted by NEC
<b>Minimum Coil Diameter</b>	9 inches (inner diameter)
<b>Cable</b> Type Conductor Conductor Size Ground Conductor	MC Copper, solid, 90°C, THHN 12 AWG 12 AWG, copper, solid
<b>Contact</b>	0.016" tinned copper alloy
<b>Contact Housing</b> Material Keying	Polycarbonate, UL 94V-2 Complies with NEC 604-6(b)
<b>Connector Housing &amp; Strain Relief</b> Material Plating Attaching Hardware	0.060" cold-rolled steel Zinc bright dip Rivet, steel, zinc plated
<b>Latch</b>	#3 zinc alloy, die cast
<b>Latch Strike</b> Material Plating	0.028 AISI 1075 cold-rolled spring steel Black oxide

## KEY DIMENSIONS



## SYSTEM VIEW

