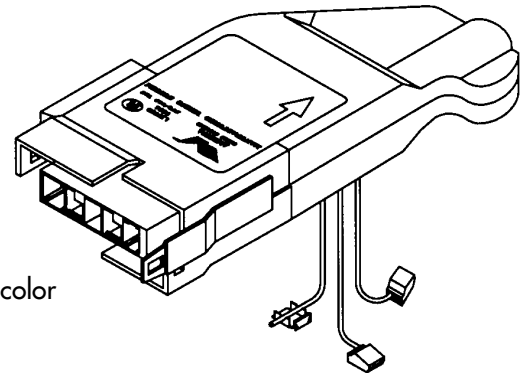


FEATURES

- Rated for use on 20 ampere branch circuits
- Fixture leads are 105°C insulated, #18 AWG copper conductor
- Connector housing is zinc-plated .060 inches cold-rolled steel
- Pin and socket connector design
- To eliminate inter-voltage connection, each connector is keyed and color coded to meet specific voltage requirements
- IBEW Assembled, UL listed and labeled
- Meets requirements of NEC[®] Article 604
- Acceptable for use in environmental air-handling spaces other than ducts or plenums per NEC Article 300-22(c)



APPLICATION

Designed to be used at the last lighting fixture of each cable run, the **Terminator** eliminates the coiling of excess cable above the last lighting fixture which would occur if a lighting cable is used instead.

COMPONENT INFORMATION

Catalog #'s	Description	Colors
120 Volts		
1LBO	3 wire w/ground, used to terminate both single and dual circuit runs	black, red, white and green
1LCO	4-wire w/ground, three circuit	black, red, blue, white and green
277 Volts		
2LBO	3 wire w/ground, used to terminate both single and dual circuit runs	brown, yellow, grey and green
2LCO	4-wire w/ground, three circuit	brown, yellow, orange, grey and green

HOW TO ORDER

2 L B O

↑ ↑ ↑ ↑

No Cable required

Number of wires
(B=3-wire w/ground)

Function (L = Lighting component)

Voltage (1 = 120V, 2 = 277V)



AFC
ACS/Uni-Fab

F4T 02/03

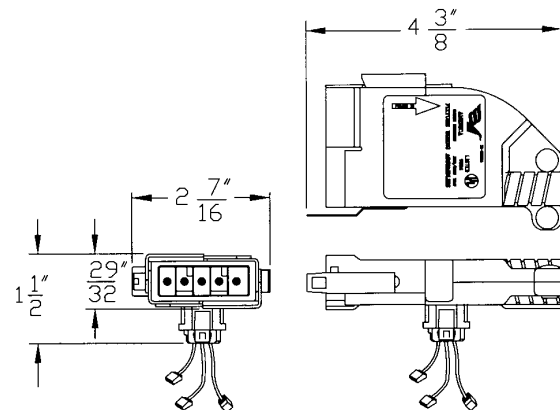
260 Duchaine Boulevard, New Bedford, MA 02745
800-426-3170 • fax:508-998-7720 • www.afcweb.com/acs

Made in the USA

tyco / Electrical &
Metal Products

Weight	0.5 pounds
Conductors Ground Conductor Fixture Pigtail Pigtail Size Ground Pigtail	12 AWG, copper, solid Copper, solid, 105°C, THHN 18 AWG 18 AWG, copper, stranded
Contact	0.016" tinned copper alloy
Contact Housing Material Keying	Polycarbonate, UL 94V-2 Complies with NEC 604-6(b)
Connector Housing & Strain Relief Material Plating Attaching Hardware	0.060" cold-rolled steel Zinc bright dip Rivet, steel, zinc plated
Latch	#3 zinc alloy, die cast
Latch Strike Material Plating	0.028 AISI 1075 cold-rolled spring steel Black oxide

KEY DIMENSIONS



SYSTEM VIEW

