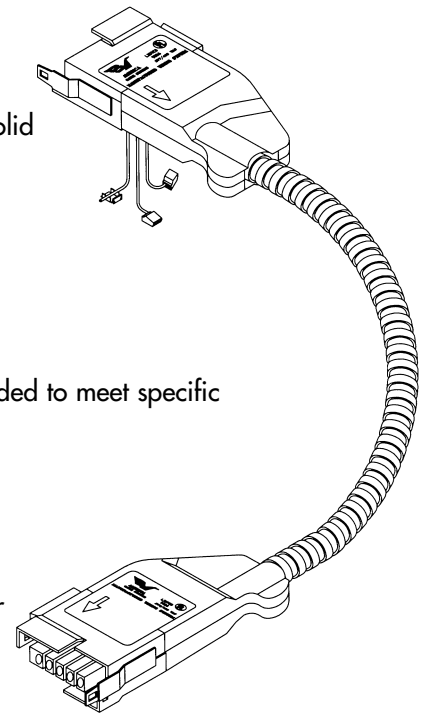


FEATURES

- Rated for use on 20 ampere branch circuits
- Manufactured from Type MC Cable featuring 90°C insulated, #12 AWG, solid copper conductors and a #12 AWG insulated, solid copper ground
- Fixture leads are 105°C insulated, #18 AWG copper conductors
- Connector housing is zinc-plated .060 inches cold-rolled steel
- Pin and socket connector design
- To eliminate inter-voltage connection, each connector is keyed and color coded to meet specific voltage requirements
- IBEW Assembled, UL listed and labeled
- Meets requirements of NEC[®] Article 604
- Acceptable for use in environmental air-handling spaces other than ducts or plenums per NEC Article 300-22(c)



APPLICATION

Once installed, the **Lighting Cable** delivers locally or panel-controlled branch circuit power to a lighting fixture in an accessible ceiling. This is accomplished simply by joining the lighting fixture leads to the Lighting Cable leads via the push-in fixture connectors supplied and then plugging the cable into the 1/2" knock-out in the fixture access plate. Alternatively, a factory-installed fixture receptacle may be employed to make connection.

COMPONENT INFORMATION

Catalog #'s	Description	Colors
120 Volts		
1LA*	Single circuit, 2-wire w/ground	black, white and green
1LB*	Two circuit, 3-wire w/ground	black, red, white and green
1LC*	Three circuit, 4-wire w/ground	black, red, blue, white and green
277 Volts		
2LA*	Single circuit, 2-wire w/ground	brown, grey and green
2LB*	Two circuit, 3-wire w/ground	brown, yellow, grey and green
2LC*	Three circuit, 4-wire w/ground	brown, yellow, orange, grey and green

HOW TO ORDER

2 L A 15

↑ ↑ ↑ ↑

Cable length in feet (15')

Number of wires
(A=2-wire w/ground)

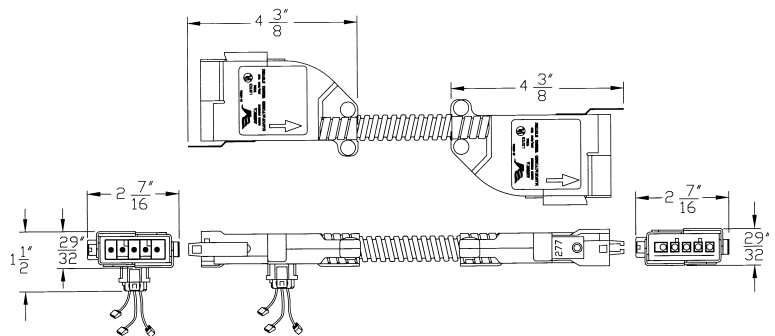
Function (L = Lighting Cable)

Voltage (1 = 120V, 2 = 277V)

* Denotes cable length in feet.

Weight	4.5 pounds (15' length)
Length	Unrestricted by NEC
Minimum Coil Diameter	9 inches (inner diameter)
Cable Type Conductor Conductor Size Ground Conductor Fixture Pigtail Pigtail Size Ground Pigtail	MC Copper, solid, 90°C, THHN 12 AWG 12 AWG, copper, solid Copper, solid, 105°C, THHN 18 AWG 16 AWG, copper, stranded
Contact	0.016" tinned copper alloy
Contact Housing Material Keying	Polycarbonate, UL 94V-2 Complies with NEC 604-6(b)
Connector Housing & Strain Relief Material Plating Attaching Hardware	0.060" cold-rolled steel Zinc bright dip Rivet, steel, zinc plated
Latch	#3 zinc alloy, die cast
Latch Strike Material Plating	0.028 AISI 1075 cold-rolled spring steel Black oxide

KEY DIMENSIONS



SYSTEM VIEW

