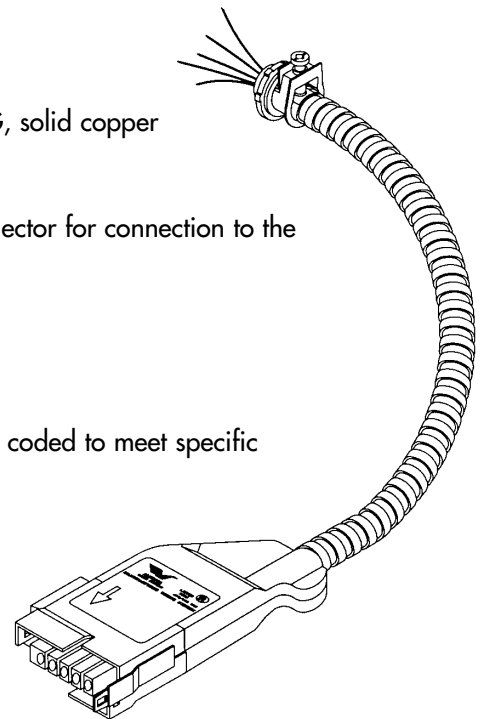


## FEATURES

- Rated for use on 20 ampere branch circuits
- Manufactured from Type MC Cable featuring 90°C insulated, #12 AWG, solid copper conductors and a #12 AWG insulated, solid copper ground
- 6 inches of THHN insulated conductors are provided through a 1/2" connector for connection to the hard-wire system at the distribution box
- Connector housing is zinc-plated .060 inches cold-rolled steel
- Pin and socket connector design
- To eliminate inter-voltage connection, each connector is keyed and color coded to meet specific voltage requirements
- IBEW Assembled, UL listed and labeled
- Meets requirements of NEC<sup>®</sup> Article 604
- Acceptable for use in environmental air-handling spaces other than ducts or plenums per NEC Article 300-22(c)



## APPLICATION

The **Distribution Cable** functions as the starting point from which all other Flex<sup>4</sup> system components are connected. Once power is brought from the lighting panel to the point of distribution by conventional hard-wiring means, the Distribution Cable is installed through a 1/2" trade size knock-out. The cable conductors are spliced to the hard-wired conductors and the interface is complete.

## COMPONENT INFORMATION

Catalog #'s	Description	Colors
<b>120 Volts</b>		
1DA*	Single circuit, 2-wire w/ground	black, white and green
1DB*	Two circuit, 3-wire w/ground	black, red, white and green
1DC*	Three circuit, 4-wire w/ground	black, red, blue, white and green
<b>277 Volts</b>		
2DA*	Single circuit, 2-wire w/ground	brown, grey and green
2DB*	Two circuit, 3-wire w/ground	brown, yellow, grey and green
2DC*	Three circuit, 4-wire w/ground	brown, yellow, orange, grey and green

### HOW TO ORDER

2 D A 15

↑ ↑ ↑ ↑

↑ Cable length in feet (15')

↑ Number of wires (A=2-wire w/ground)

↑ Function (D = Distribution Cable)

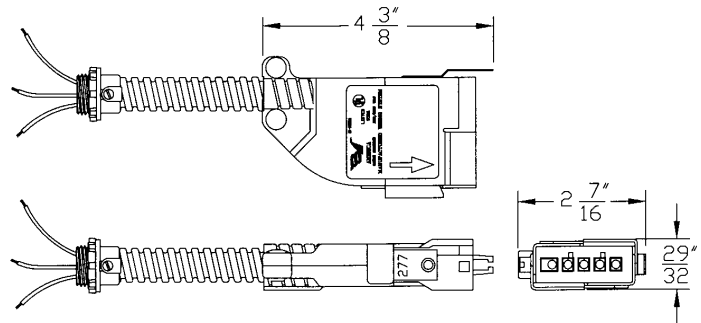
↑ Voltage (1 = 120V, 2 = 277V)

\* Denotes cable length in feet.

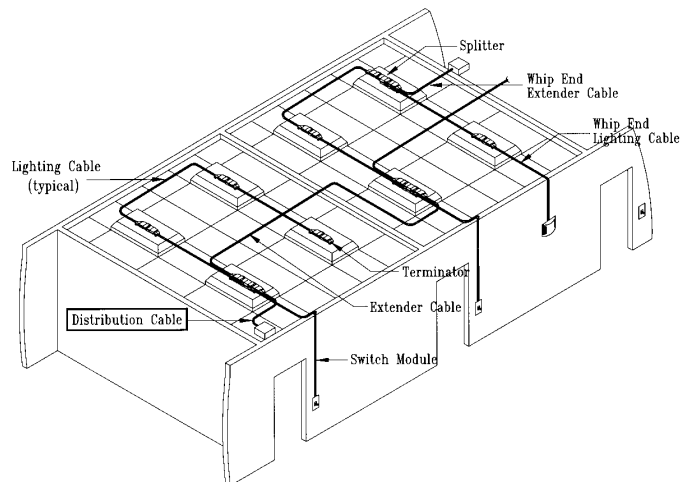
# FLEX<sup>4</sup>® Distribution Cable Specifications

<b>Weight</b>	4.5 pounds (15' length)
<b>Length</b>	Unrestricted by NEC
<b>Minimum Coil Diameter</b>	9 inches (inner diameter)
<b>Cable</b> Type Conductor Conductor Size Ground Conductor	MC Copper, solid, 90°C, THHN 12 AWG 12 AWG, copper, solid
<b>Contact</b>	0.016" tinned copper alloy
<b>Contact Housing</b> Material Keying	Polycarbonate, UL 94V-2 Complies with NEC 604-6(b)
<b>Connector Housing &amp; Strain Relief</b> Material Plating Attaching Hardware	0.060" cold-rolled steel Zinc bright dip Rivet, steel, zinc plated
<b>Latch</b>	#3 zinc alloy, die cast
<b>Latch Strike</b> Material Plating	0.028 AISI 1075 cold-rolled spring steel Black oxide
<b>Mechanical Connector</b>	1/2" MC Connector plated

## KEY DIMENSIONS



## SYSTEM VIEW



AFC  
ACS/Uni-Fab

F4DC 02/03

260 Duchaine Boulevard, New Bedford, MA 02745  
800-426-3170 • fax:508-998-7720 • www.afcweb.com/acs

Made in the USA

**tyco** / Electrical & Metal Products