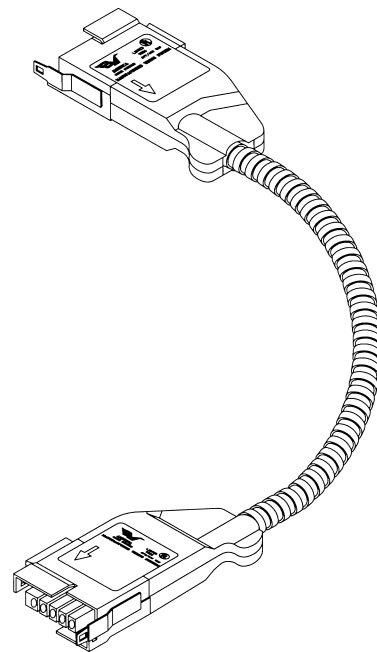


FEATURES

- Rated for use on 20 ampere branch circuits
- Manufactured from Type MC Cable featuring 90°C insulated, #12 AWG solid copper conductors and #12 AWG insulated, solid copper ground
- Pin and sleeve connector design
- Connector housing is zinc-plated, .060 inches cold-rolled steel
- To eliminate inter-voltage connection each connector is keyed and color coded to meet specific voltage requirements
- IBEW Assembled
- UL listed and labeled



APPLICATION

The Extender Cables are primarily used to deliver branch circuit power from one Lighting "T" Cable to the next Lighting "T" Cable. They are also utilized when project changes necessitate the lengthening of a cable set.

COMPONENT INFORMATION

Catalog #'s	Description	Colors
120 Volts		
1EA*	Single circuit, 2-wire w/ground	black, white and green
1EB*	Two circuit, 3-wire w/ground	black, red, white and green
1EC*	Three circuit, 4-wire w/ground	black, red, blue, white and green
277 Volts		
2EA*	Single circuit, 2-wire w/ground	brown, grey and green
2EB*	Two circuit, 3-wire w/ground	brown, yellow, grey and green
2EC*	Three circuit, 4-wire w/ground	brown, yellow, orange, grey and green

HOW TO ORDER

2 E A 25

↑ ↑ ↑ ↑

Cable length in feet (25')

No. of wires (A=2-wire w/ground)

Function (EE= Double-End Extender Cable)

Voltage (1 = 120V, 2 = 277V)

* Denotes cable length in feet.



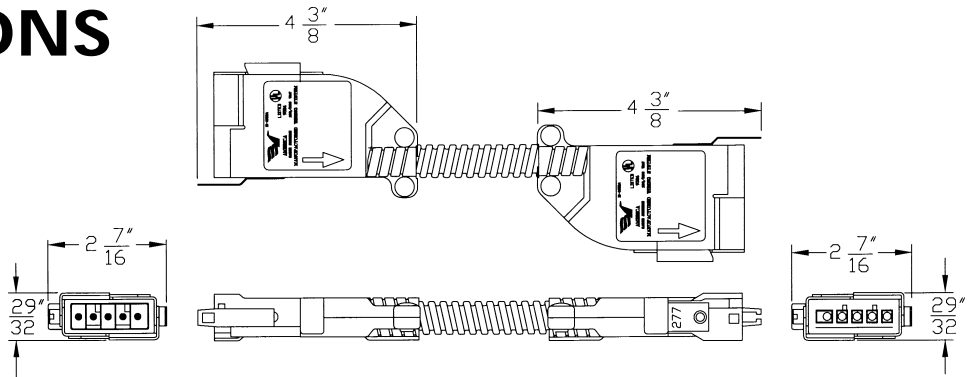
Made in the USA

260 Duchaine Boulevard, New Bedford, MA 02745
800-426-3170 • fax: 508-998-7720 • www.afcweb.com/acs



Weight	4.5 pounds (15' length)
Length	Unrestricted by NEC
Minimum Coil Diameter	9 inches (inner diameter)
Cable Type	MC
Conductor	Copper, solid, 90°C, THHN
Conductor Size	12 AWG
Ground Conductor	12 AWG, copper, solid
Contact	0.016" tinned copper alloy
Contact Housing Material	Polycarbonate, UL 94V-2
Contact Keying	Complies with NEC 604-6(b)
Connector Housing & Strain Relief Material	0.060" cold-rolled steel
Plating	Zinc bright dip
Attaching Hardware	Rivet, steel, zinc plated
Latch	#3 zinc alloy, die cast
Latch Strike Material	0.028 AISI 1075 cold-rolled spring steel
Plating	Black oxide

KEY DIMENSIONS



SYSTEM VIEW

