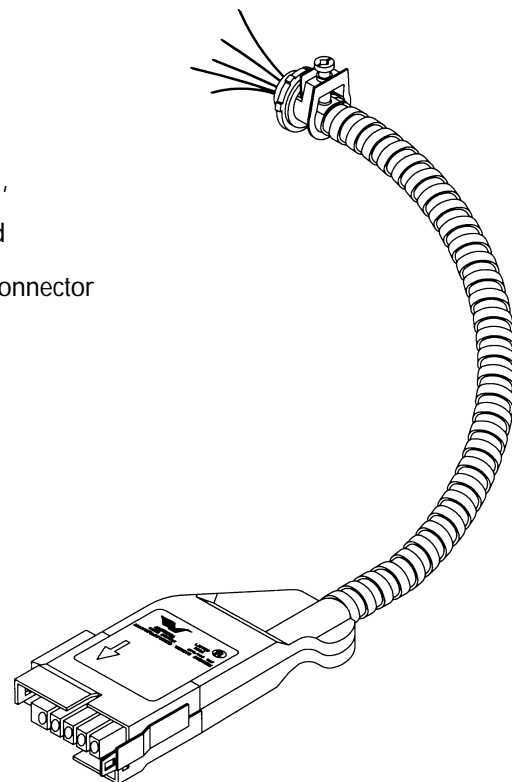


FEATURES

- Rated for use on 20 ampere branch circuits
- Manufactured from Type MC Cable featuring 90°C insulated, #12 AWG, solid copper conductors and a #12 AWG insulated, solid copper ground
- Six inches of THHN insulated conductors are provided through a 1/2" connector for connection to the hard-wire system
- Connector housing is zinc-plated, .060 inches cold-rolled steel
- Pin and sleeve connector design
- To eliminate inter-voltage connection each connector is keyed and color coded to meet specific voltage requirements
- IBEW Assembled
- UL listed and labeled



APPLICATION

The Distribution Cable is the first component of the Flex3 modular wiring system. Once power is brought from the Lighting Panel to the point of distribution by conventional hard-wiring means, the Distribution Cable is installed through a 1/2" grade size knockout. The cable conductors are spliced to the hard-wired conductors and the interface is complete.

COMPONENT INFORMATION

Catalog #'s	Description	Colors
120 Volts		
1DA*	Single circuit, 2-wire w/ground	black, white and green
1DB*	Two circuit, 3-wire w/ground	black, red, white and green
1DC*	Three circuit, 4-wire w/ground	black, red, blue, white and green
277 Volts		
2DA*	Single circuit, 2-wire w/ground	brown, grey and green
2DB*	Two circuit, 3-wire w/ground	brown, yellow, grey and green
2DC*	Three circuit, 4-wire w/ground	brown, yellow, orange, grey and green

* Denotes cable length in feet.

HOW TO ORDER

2 D A 25

↑ ↑ ↑ ↑

↑ Cable length in feet (25')

↑ No. of wires (A=2-wire w/ground)

↑ Function (D = Distribution Cable)

↑ Voltage (1 = 120V, 2 = 277V)



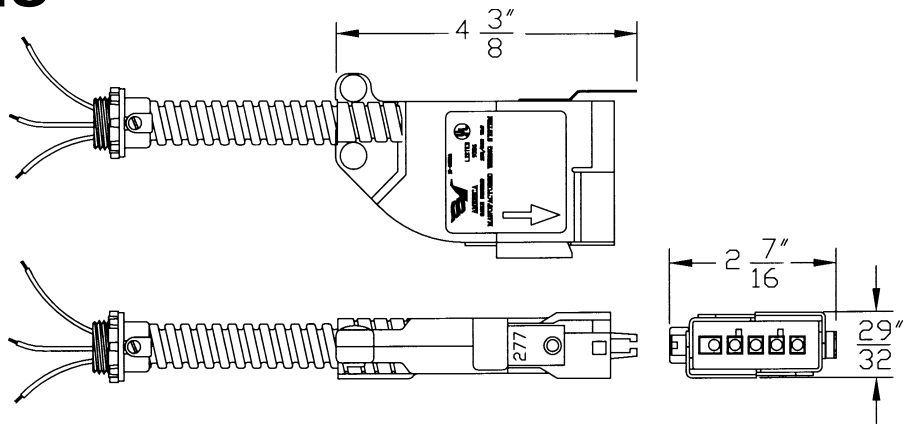
Made in the USA

260 Duchaine Boulevard, New Bedford, MA 02745
800-426-3170 • fax: 508-998-7720 • www.afcweb.com/acs

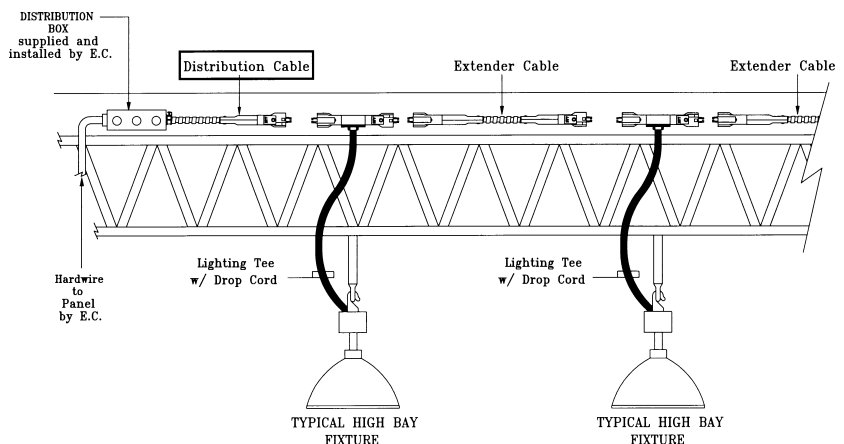
tyco / Electrical & Metal Products

Weight	4.5 pounds (15' length)
Length	Unrestricted by NEC
Minimum Coil Diameter	9 inches (inner diameter)
Cable Type Conductor Conductor Size Ground Conductor	MC Copper, solid, 90°C, THHN 12 AWG 12 AWG, copper, solid
Contact	0.016" tinned copper alloy
Contact Housing Material Keying	Polycarbonate, UL 94V-2 Complies with NEC 604-6(b)
Connector Housing & Strain Relief Material Plating Attaching Hardware	0.060" cold-rolled steel Zinc bright dip Rivet, steel, zinc plated
Latch	#3 zinc alloy, die cast
Latch Strike Material Plating	0.028 AISI 1075 cold-rolled spring steel Black oxide
Mechanical Connector	1/2" MC Connector, plated

KEY DIMENSIONS



SYSTEM VIEW



Made in the USA

260 Duchaine Boulevard, New Bedford, MA 02745
800-426-3170 • fax: 508-998-7720 • www.afcweb.com/acs

tyco Electrical & Metal Products