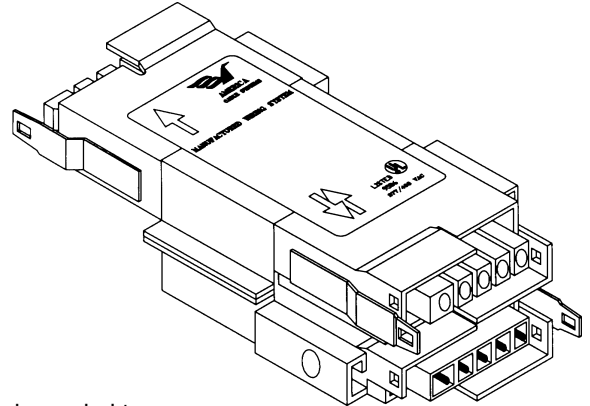


## FEATURES

- Rated for use on 20 ampere branch circuits
- Designed with one "power-in" port and two "power-out" ports
- Internally wired with 90°C insulated, #12 AWG, solid copper conductors and a #12 AWG insulated, solid copper ground
- Connector housing is zinc-plated .060 inches cold-rolled steel
- Pin and socket connector design
- To eliminate inter-voltage connection, each connector is keyed and color coded to meet specific voltage requirements
- IBEW Assembled, UL listed and labeled
- Meets requirements of NEC® Article 604
- Acceptable for use in environmental air-handling spaces other than ducts or plenums per NEC Article 300-22(c)



## APPLICATION

Designed with one "power-in" port and two "power-out" ports, the Splitter makes it possible to split a single cable run into two directions.

## COMPONENT INFORMATION

Catalog #'s	Description
<b>120 Volts</b>	
1SPB	Single circuit, 3-wire w/ground
1SPC	Two circuit, 4-wire w/ground
<b>277 Volts</b>	
2SPB	Single circuit, 3-wire w/ground
2SPC	Two circuit, 4-wire w/ground

### HOW TO ORDER

2 SP B - R

↑ ↑ ↑ ↑

Reverse

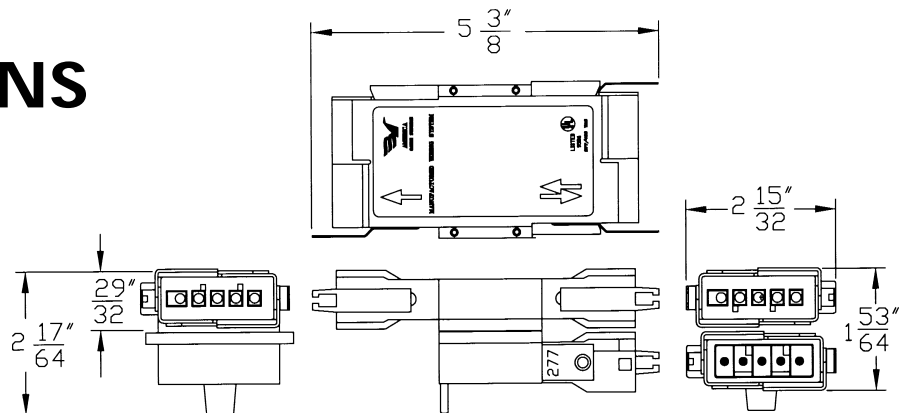
Number of wires (B=3-wire w/ground)

Function (SP = Splitter)

Voltage (1 = 120V, 2 = 277V)

Weight	1.0 Pound
Minimum Coil Diameter	9 inches (inner diameter)
Conductors Conductor Conductor Size Ground Conductor	Copper, solid, 90°C, THHN 12 AWG 12 AWG, copper, solid
Contact	0.016" tinned copper alloy
Contact Housing Material Keying	Polycarbonate, UL 94V-2 Complies with NEC 604-6(b)
Connector Housing Material Plating Attaching Hardware	0.060" cold-rolled steel Zinc bright dip Rivet, steel, zinc plated
Latch	#3 zinc alloy, die cast
Latch Strike Material Plating	0.028 AISI 1075 cold-rolled spring steel Black oxide

## KEY DIMENSIONS



## SYSTEM VIEW

