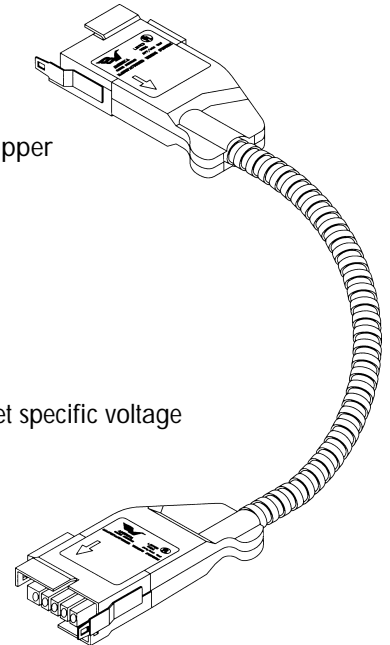


FEATURES

- Rated for use on 20 ampere branch circuits
- Manufactured from Type MC Cable featuring 90°C insulated, #12 AWG, solid copper conductors and a #12 AWG insulated, solid copper ground
- Also available with #10 AWG insulated Super Neutral
- Connector housing is zinc-plated .060 inches cold-rolled steel
- Pin and socket connector design
- To eliminate inter-voltage connection, each connector is keyed and color coded to meet specific voltage requirements
- IBEW Assembled, UL listed and labeled
- Meets requirements of NEC® Article 604
- Acceptable for use in environmental air-handling spaces other than ducts or plenums per NEC Article 300-22(c)



APPLICATION

A versatile component in the Flex4 wiring system, the Extender Cable is used primarily to carry branch circuit power to a switch module for a locally-switched application. However, it can also be used to extend the length of other cables.

COMPONENT INFORMATION

Catalog #'s	Description
120 Volts	
1EA*	Single circuit, 2-wire w/ground
1EB*	Two circuit, 3-wire w/ground
1EC*	Three circuit, 4-wire w/ground
277 Volts	
2EA*	Single circuit, 2-wire w/ground
2EB*	Two circuit, 3-wire w/ground
2EC*	Three circuit, 4-wire w/ground

* Denotes cable length in feet.

HOW TO ORDER

2 E A 15

↑ ↑ ↑ ↑

↑ Voltage (1 = 120V, 2 = 277V)

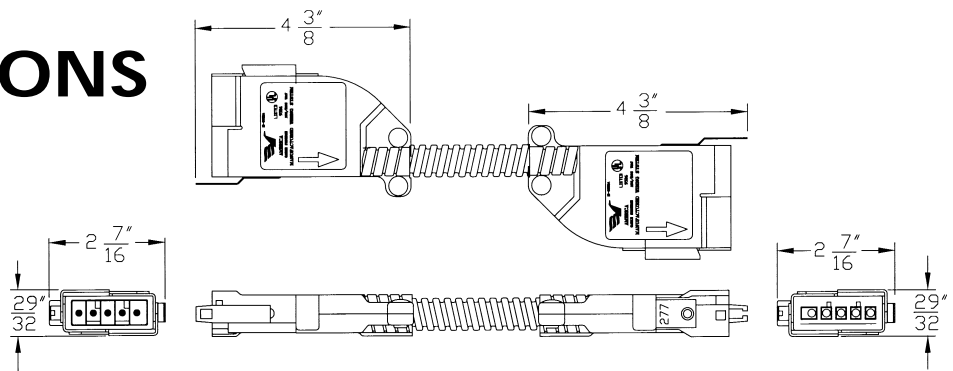
↑ Function (E = Extender Cable)

↑ Number of wires (A=2-wire w/ground)

↑ Cable length in feet (15')

Weight	4.5 pounds (15' length)
Length	Unrestricted by NEC
Minimum Coil Diameter	9 inches (inner diameter)
Cable Type	MC
Conductor	Copper, solid, 90°C, THHN
Conductor Size	12 AWG
Ground Conductor	12 AWG, copper, solid
Contact	0.016" tinned copper alloy
Contact Housing Material	Polycarbonate, UL 94V-2
Contact Keying	Complies with NEC 604-6(b)
Connector Housing & Strain Relief Material	0.060" cold-rolled steel
Connector Housing Plating	Zinc bright dip
Connector Housing Attaching Hardware	Rivet, steel, zinc plated
Latch	#3 zinc alloy, die cast
Latch Strike Material	0.028 AISI 1075 cold-rolled spring steel
Latch Strike Plating	Black oxide

KEY DIMENSIONS



SYSTEM VIEW

