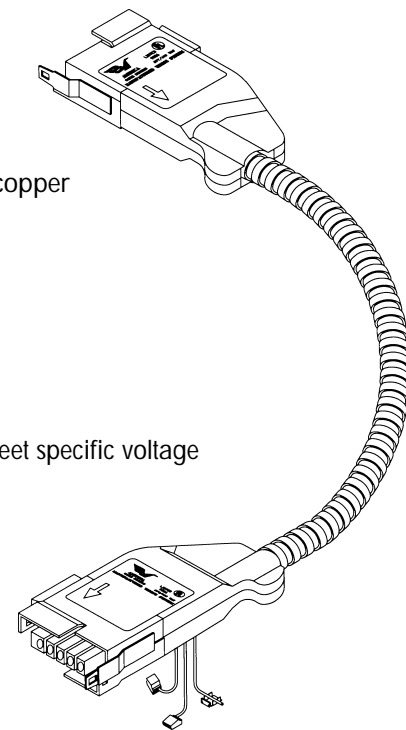


## FEATURES

- Rated for use on 20 ampere branch circuits
- Manufactured from Type MC Cable featuring 90°C insulated, #12 AWG, solid copper conductors and a #12 AWG insulated, solid copper ground
- Lighting cable leads are 105°C insulated, #18 AWG, solid copper conductors
- Connector housing is zinc-plated .060 inches cold-rolled steel
- Pin and socket connector design
- To eliminate inter-voltage connection, each connector is keyed and color coded to meet specific voltage requirements
- IBEW Assembled, UL listed and labeled
- Meets requirements of NEC® Article 604
- Acceptable for use in environmental air-handling spaces other than ducts or plenums per NEC Article 300-22(c)



## APPLICATION

Once installed, the Lighting Cable delivers panel-controlled branch circuit power to a lighting fixture in an accessible ceiling. This is accomplished simply by joining the lighting fixture leads to the lighting cable leads via the push-in fixture connectors supplied and then plugging the cable into the 1/2" knock-out in the fixture access plate. The other end of the Lighting Cable, featuring snap-in plug connectors, delivers power from fixture to fixture in a run.

## COMPONENT INFORMATION

Catalog #'s	Description	Colors
<b>120 Volts</b>		
1LA*R	Single circuit, 2-wire w/ground	black, white and green
1LB*R	Two circuit, 3-wire w/ground	black, red, white and green
1LC*R	Three circuit, 4-wire w/ground	black, red, blue, white and green
<b>277 Volts</b>		
2LA*R	Single circuit, 2-wire w/ground	brown, grey and green
2LB*R	Two circuit, 3-wire w/ground	brown, yellow, grey and green
2LC*R	Three circuit, 4-wire w/ground	brown, yellow, orange, grey and green

\* Denotes cable length in feet.

### HOW TO ORDER

2 L A 15 - R

↑ ↑ ↑ ↑ ↑

Reverse Cable  
Cable length in feet (15')  
Number of wires (A=2-wire w/ground)  
Function (L = Lighting Cable)  
Voltage (1 = 120V, 2 = 277V)



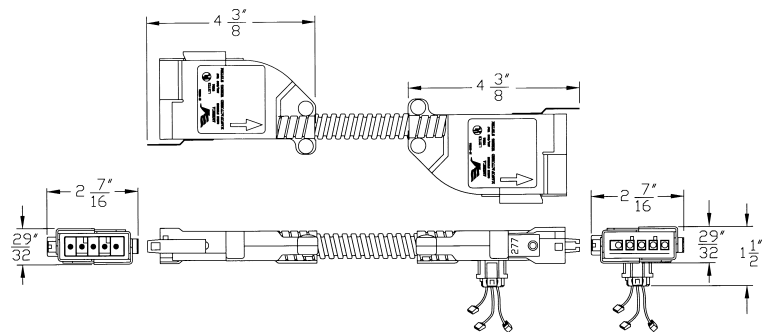
Made in the USA

260 Duchaine Boulevard, New Bedford, MA 02745  
800-426-3170 • fax: 508-998-7720 • www.afcweb.com/acs

**tyco** / Electrical & Metal Products

Weight	4.5 pounds (15' length)
Length	Unrestricted by NEC
Minimum Coil Diameter	9 inches (inner diameter)
Cable Type	MC
Conductor	Copper, solid, 90°C, THHN
Conductor Size	12 AWG
Ground Conductor	12 AWG, copper, solid
Fixture Pigtail	Copper, solid, 105°C, THHN
Pigtail Size	18 AWG
Ground Pigtail	16 AWG, copper, stranded
Contact	0.016" tinned copper alloy
Contact Housing Material Keying	Polycarbonate, UL 94V-2 Complies with NEC 604-6(b)
Connector Housing & Strain Relief Material	0.060" cold-rolled steel
Plating	Zinc bright dip
Attaching Hardware	Rivet, steel, zinc plated
Latch	#3 zinc alloy, die cast
Latch Strike Material	0.028 AISI 1075 cold-rolled spring steel
Plating	Black oxide

## KEY DIMENSIONS



## SYSTEM VIEW

